

Expander Laser, red, 670 nm, 2 mW

E670-2-3(24x96)APT20
Order Number: 70102468

| Main Parameters (*) | min | typ | max | Unit |
|-----------------------|-----|-----|-----|------|
| Wavelength | | 670 | | nm |
| Optical Output Power | | 2 | | mW |
| Operating Voltage | 2.7 | 3 | 3.3 | V DC |
| Operating Current | 20 | 35 | 55 | mA |
| Operating Temperature | -20 | | 50 | °C |
| Storage Temperature | -40 | | 80 | °C |

Main Data

Warranty 1 years

Technical Parameters

Lifetime > 5,000 h
RoHS yes

Optical Parameters

| | |
|--------------------|----------------------|
| Beam Shape | expander |
| Laser Class | 3R |
| Operating Distance | 20 m |
| Optics | glass lens AR coated |
| Laser technology | diode |
| Focus | adjustable |

Electrical Parameters

Potential of Housing isolated
Power Supply LFNT-3

Mechanical Parameters

| | |
|-----------------|----------------------------|
| Size | Ø24x96 mm |
| Material | aluminium |
| Cable length | 100 mm |
| Wire type | 26AWG, 0,14mm ² |
| Output Aperture | 20 mm |
| Weight | 75 g |

(*) Over the complete operating temperature range

Features



- Operating Voltage 3 V DC
- Laser Class 3R
- Image processing
- Adjustable focus
- Glas lenses anti reflex coated

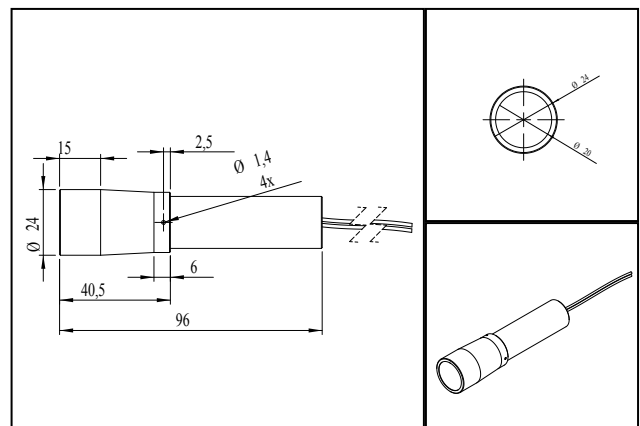
Picture



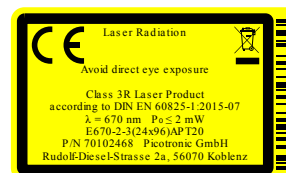
Cable color

| | | | |
|----------|--|-------|-----------------------|
| Ground |  | black | GND |
| positive |  | red | 2.7 - 3.3, typ 3 V DC |

Drawing



Safety Label



Valid Revision

2 | 25-MAY-2020